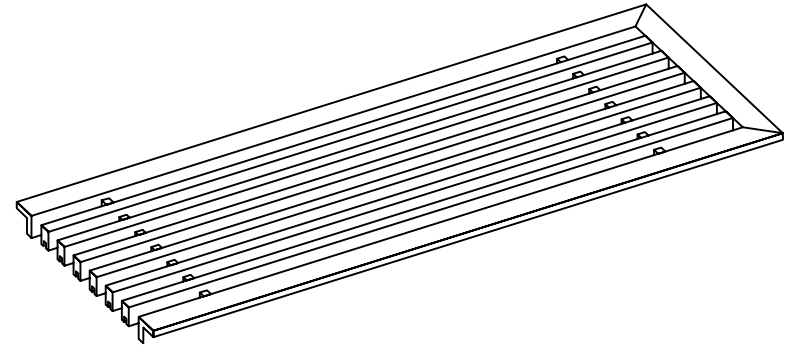
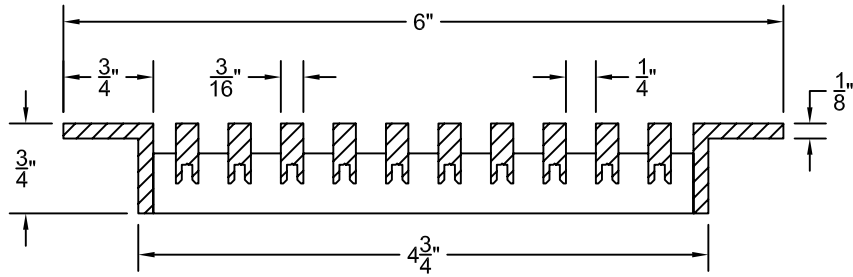
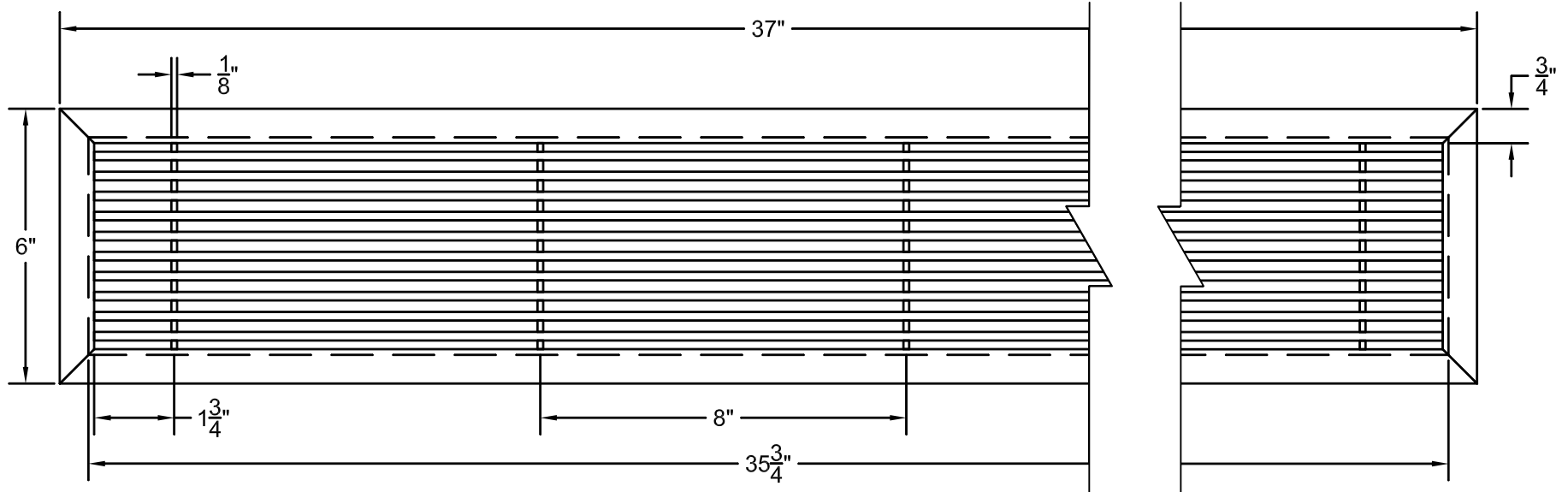


PART # **AAG110B0536 (STOCK)**



DIRECTION OF GRAIN



Material: ALUMINUM

Finish: SATIN WITH CLEAR ANODIZE

Approved:

Date:



**ADVANCED ARCHITECTURAL GRILLES**

149 Denton Avenue

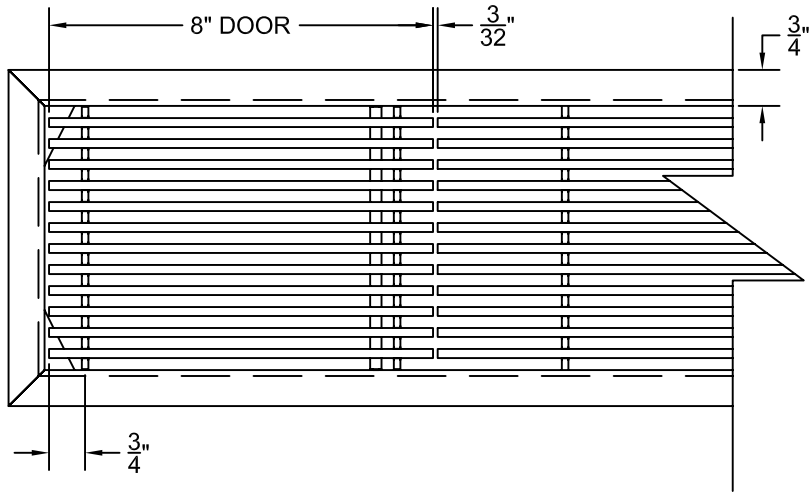
New Hyde Park, NY 11040

Voice: 516-488-0628 Fax: 516-488-0728

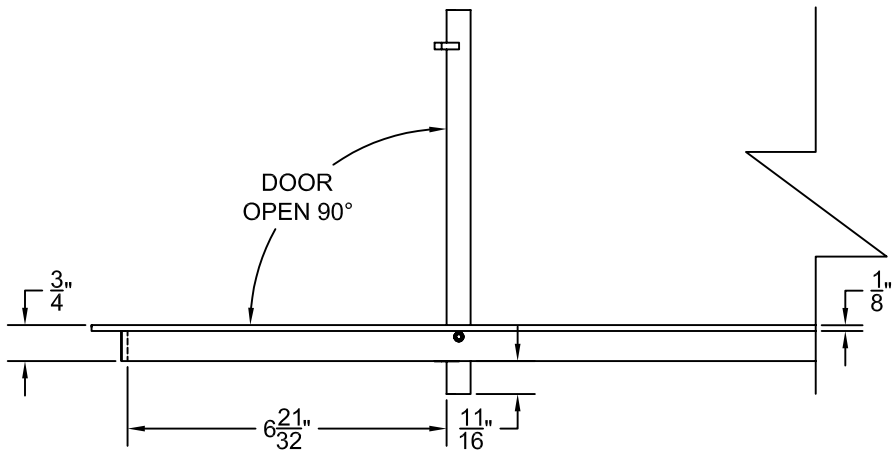
JOB #:

QUOTE #:

**AAG110 B FRAME STOCK BAR GRILLE - OPTIONAL ACCESS DOOR**



**PLAN VIEW: 1/4 SCALE**



**DOOR CAN BE PLACED ON RIGHT OR LEFT SIDE**

Material: ALUMINUM

Finish: SATIN WITH CLEAR ANODIZE

Approved:

Date:



**ADVANCED ARCHITECTURAL GRILLES**

149 Denton Avenue  
 New Hyde Park, NY 11040  
 Voice: 516-488-0628 Fax: 516-488-0728

JOB #:

QUOTE #: