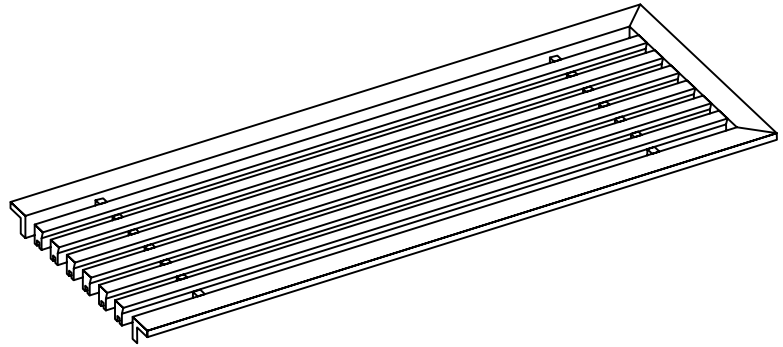
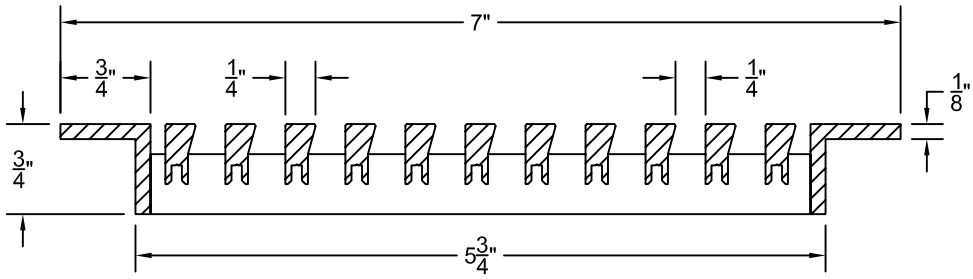
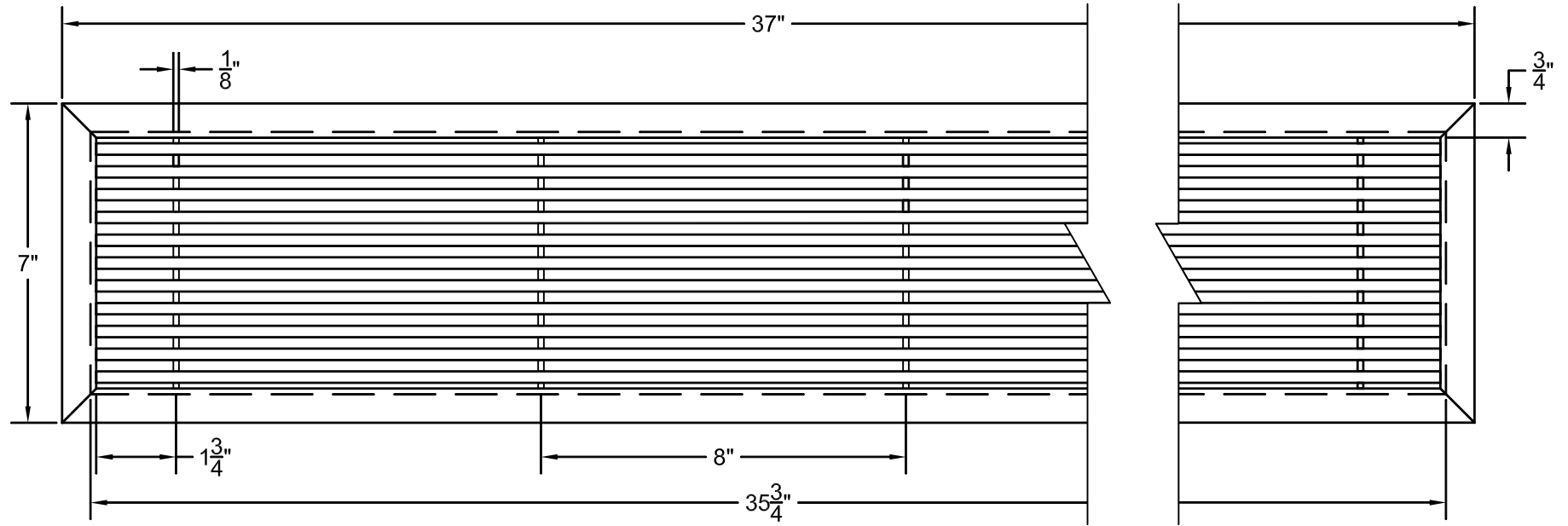


PART # **AAG200B0636 (STOCK)**



SECTION VIEW: CUSTOM SCALE

DIRECTION OF GRAIN



PLAN VIEW: CUSTOM SCALE

Material: ALUMINUM

Finish: SATIN WITH CLEAR ANODIZE

Approved:

Date:



ADVANCED ARCHITECTURAL GRILLES

149 Denton Avenue

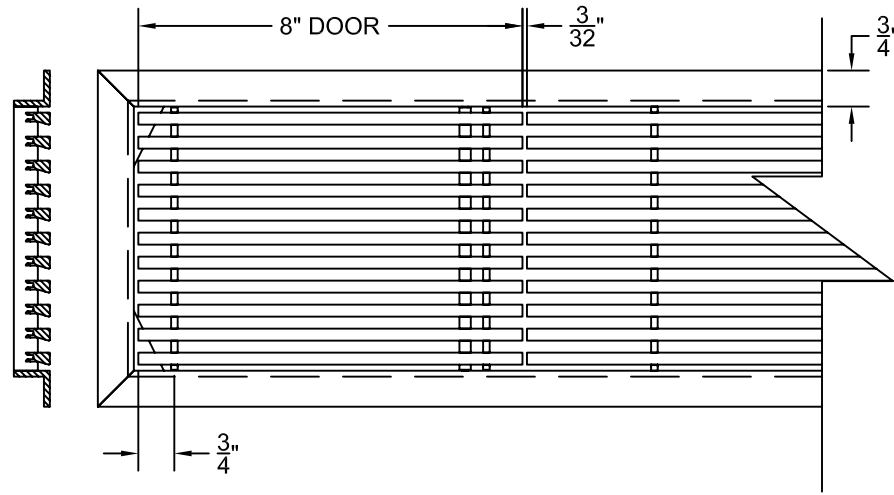
New Hyde Park, NY 11040

Voice: 516-488-0628 Fax: 516-488-0728

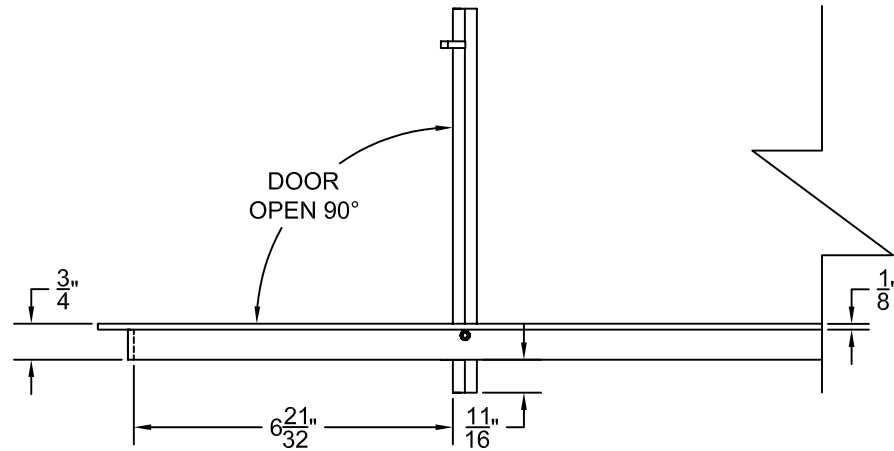
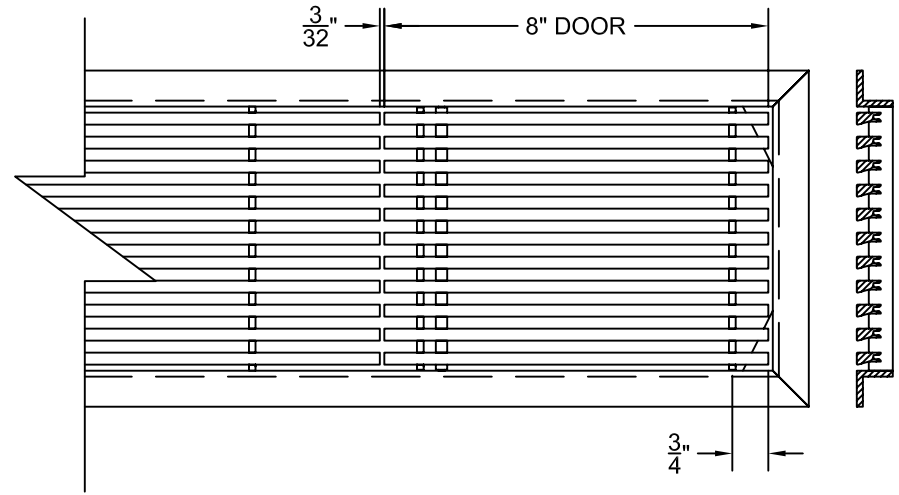
JOB #:

QUOTE #:

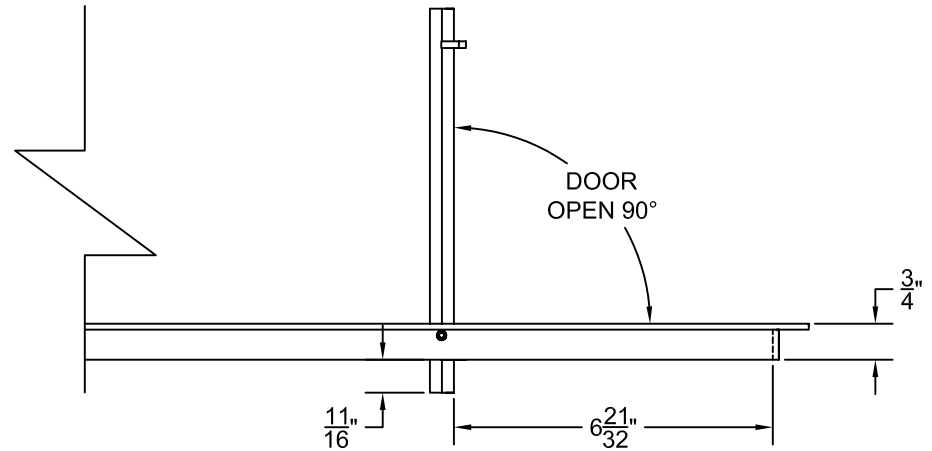
AAG200 B FRAME STOCK BAR GRILLE - OPTIONAL ACCESS DOORS



PLAN VIEW: 1/4 SCALE



LEFT SIDE DOOR



RIGHT SIDE DOOR

Material: ALUMINUM

Finish: SATIN WITH CLEAR ANODIZE

Approved:

Date:



ADVANCED ARCHITECTURAL GRILLES

149 Denton Avenue
 New Hyde Park, NY 11040
 Voice: 516-488-0628 Fax: 516-488-0728

JOB #:

QUOTE #: